

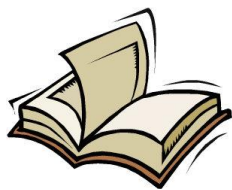


Spray gun 2000 HG

Art. no.: 20401



Thank you very much for the trust you have placed in us and our products.



Please read the operating manual first before working with the spray gun.

This operating and maintenance manual contains important information required for the safe and trouble-free operation of your spray gun. Therefore always keep this operating manual with the spray gun.

General notice:

This spray gun was developed for certain applications. We explicitly point out that this spray gun must not be modified and/or used in a way that does not correspond to its intended use.

Content:

1. Technical data	3
2. Extent of delivery	3
3. Intended use.....	3
4. Features	3
5. Safety instructions	3
6. Installation	4
7. Maintenance and care	5
8. Storage	5
9. Troubleshooting	5
10. Warranty terms	5
11. Address	6
12. EC-declaration of conformity	7
13. Technical drawing and spare parts list	8

1. Technical data

Description	2000 HG
Operating pressure	2-8 bar
Maximum pressure	8 bar
Bottle volume	1 litre
Connecting thread	¼"
Compressed air supply	Quick coupling
Jet adjustment	no
Measurement 2000 HG (without 2900 H)	186 x 329 x 53 mm
Cavity spray hose 2900 H	Ø 10 mm x 720 mm
Net weight	516 g
Gross weight	641 g
Required air quality	filtered and condensate-free

2. Extent of delivery

Spray gun, steel riser pipe, cavity spray hose, operating manual

3. Intended use

This light-weight spray gun is a compressed air operated tool for manual use. It is suitable for processing stone chip and underbody protection from 1 litre cans.

4. Features

The effectiveness of the 2000 HG spray gun is based on the Venturi effect. For this purpose, an air stream is used which accelerates when the air nozzle flows through and thus generates negative pressure in the adjoining riser pipe. The spray mass is thereby sucked in and sprayed out via the nozzle by the air flow.

5. Safety instructions

Protect yourself and the environment by taking appropriate precautions against the risk of accidents and observe the following instructions in your own interest



- The operator must ensure proper operation
- Do not bring compressed air, stone chip or underbody protection into contact with skin or eyes.
- Keep children and pets away from the operating area.
- Never direct the spray jet at animals, people or yourself.
- No manipulations, emergency repairs or misappropriations may be carried out on the gun.
- Spray guns may only be operated and maintained by instructed persons.

- Repairs must only be carried out by qualified persons.

The following applies to all maintenance and repair work:

- It is essential to disconnect the spray gun from the compressed air connection.
- Only use original spare parts.
- The maximum working pressure must not be exceeded (see point 1 "Technical data"). The working pressure must be adjusted via a (filter) pressure reducer.
- Only use compressed air as energy source.
- The compressed air connection may only be made via a quick coupling.
- When working with the spray gun, wear the necessary protective clothing, protective goggles, work gloves, ear protection if necessary and a respirator mask.
- If there are leaks in the device or other operating faults, the device must be disconnected from the compressed air supply immediately and the cause of the fault must be eliminated.
- Open fire, sparks or smoking is prohibited.
- Beware of flammable materials.
- Stone chip and underbody protection remains as well as cleaning media must be disposed of in an environmentally friendly manner.
- The disposal of the compressed air device must be carried out according to the valid legal regulations.



6. Installation

Screw in the supplied steel riser pipe hand-tight. Pierce the protective foil of the 1 litre can and dip the riser pipe into the spraying material. Screw the 1 litre can into the plastic threaded cap of the spray gun **hand-tight**. Take care not to over-tighten the thread! Screw the cavity spray hose included in the extent of delivery hand-tight to the connection piece of the spray gun.

Connect the spray gun to the compressed air supply via the quick coupling. By pressing the trigger you put the spray gun into operation.

Optionally with this spray gun you have the possibility to use stone chip and underbody protection. The cavity spray hose (2900 H) included in the extent of delivery must be separated from the threaded connection piece (H26) and replaced by an optionally available brass spray pipe (2900 GS).

7. Maintenance and care

After each use, disconnect the device from the compressed air supply and thoroughly clean it. We recommend benzine or commercially available terpene-based cleaners. **Do not use aggressive cleaners!** Following the maintenance instructions will ensure a long service life and trouble-free operation of this quality product.



Attention:

Pay attention to a proper disposal of the residues, which arise during the maintenance and care.

8. Storage

The compressed air tool must be stored under the following conditions:

- If residual material is present, store only upright!
- Carefully clean the spray gun after each use.
- Carefully clean the cavity spray hose after each use.
- Store in a dry and dust-free place.
- Do not expose to liquids and/or aggressive chemicals.
- Keep out of the reach of children.

9. Troubleshooting

In all cases of malfunction, please first check whether there is sufficient compressed air available, whether the spray material can still be processed, whether the expiry date has passed or whether the material has dried out.

- **Gun sprays messy**
Possible cause: Nozzle, riser pipe and/or ventilation hole dirty.
Solution: Clean parts.
- **Gun does not spray any material**
Possible cause: Riser pipe, hose and/or nozzle blocked.
Solution: Clean clogged parts.
- **Air escapes from the spray nozzle even though the trigger is in its initial position**
Possible cause: Valve bolt is jammed.
Solution: Pour oil onto the valve bolt and/or into the compressed air intake.
Operate the trigger several times.

10. Warranty terms

The basis for all warranty claims is the complete spray gun and the proof of purchase. Damage caused by improper handling of the spray gun is not covered by the warranty.

If you have any questions, please indicate the type description or the article number of the spray gun.

- In conformity with legal regulations, you receive a 24-month warranty on all products against material and manufacturing defects.

Excluded from the warranty:

- Wear parts.
- Damage caused by improper use.
- Damage caused by lack of maintenance.
- Damage caused by dirt.
- Damage caused by untreated compressed air.

If warranty claims are made, the spray gun must be in its original condition.

11. Address

In case of service your sales representative is at your side or contact the following address:

Vaupel GmbH
Am Forsthaus 6
35713 Eschenburg-Simmersbach
Germany
Telephone: +49 (0) 2774 80069-0
E-Mail: info@vaupel-gmbh.de
Internet: www.vaupel-gmbh.de

Notice: We reserve the right to make technical changes. Illustrations may differ from the original. We assume no liability for printing errors.

12. EC-declaration of conformity

EC-declaration of conformity

In accordance with the EC Machine Directive 2006/42/EC,

Type of gun: Suction gun Compressed air

Type designation: Type 2000 HG

Type description: Spray gun

Article number manufacturer: 20401

Is developed, designed and manufactured in accordance with the above EC guidelines, under the general responsibility of

Company: Vaupel GmbH
Gerätebau & Drucklufttechnik
Am Forsthaus 6
35713 Eschenburg-Simmersbach

The technical documentation is complete.

The following harmonised standard has been applied:

**DIN EN ISO 12100 - Sicherheit von Maschinen – Allgemeine Gestaltungsleit-
sätze - Risikobeurteilung und Risikominderung**

The operating manual belonging to the machine are available in the original version and in the respective national language.

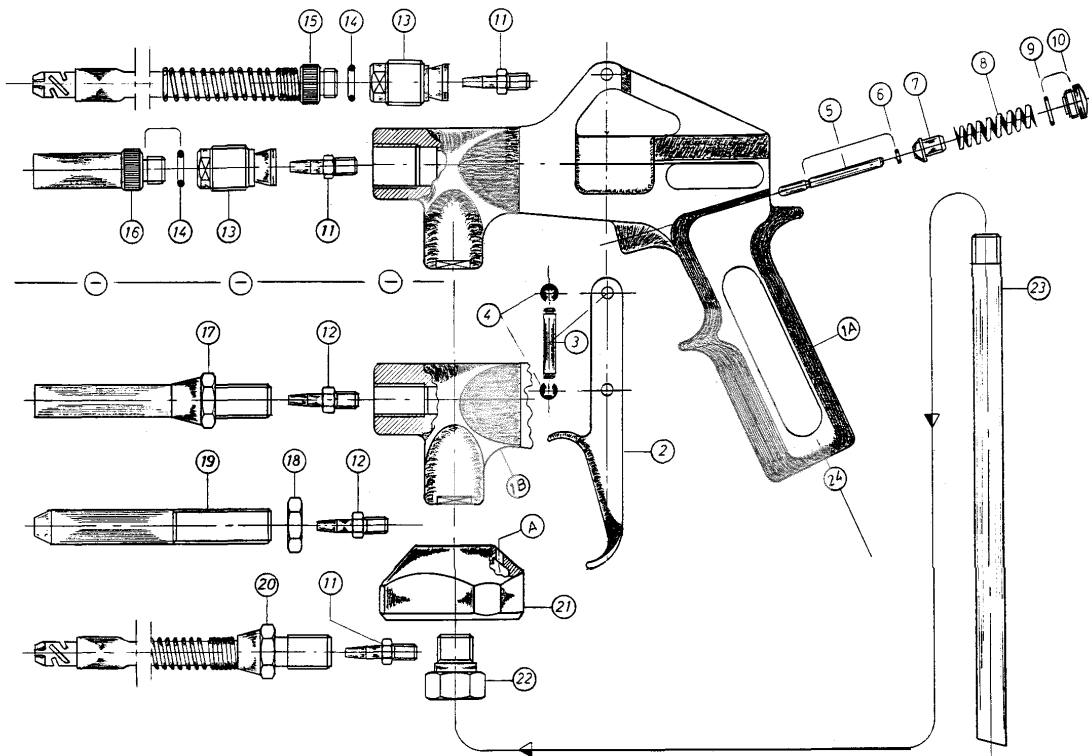
Simmersbach, 01.04.2020

Place, Date



Signature, Managing director

13. Technical drawing and spare parts list



Pos.	Article no.	Description
1	---	Gun body
2	50 3909 005	Trigger
3	30 1102 006	Lever axis
4	60 3100 029	Lock washer
5	80158	Valve bolt
6		O-ring 1.5 x 0.75 mm
7		Valve seal
8	60 3103 003	Spring for valve
9	60 4100 062	O-ring 8 x 1 mm
10	30 1120 002	Locking screw
11	30 1424 009	Air nozzle 2,0 mm
13	10 1431 001	Connection piece H26
15	29002	Cavity spray hose (2900 H)
16	30 1124 001	Brass spray pipe (2900 GS)
21	40 4112 010	Threaded cap
21 A	---	Ventilation hole
22	30 1432 018	Fixing screw m 10 x 1 mm
23	60 3129 001	Riser pipe 253 mm
24	---	¼" Connection thread